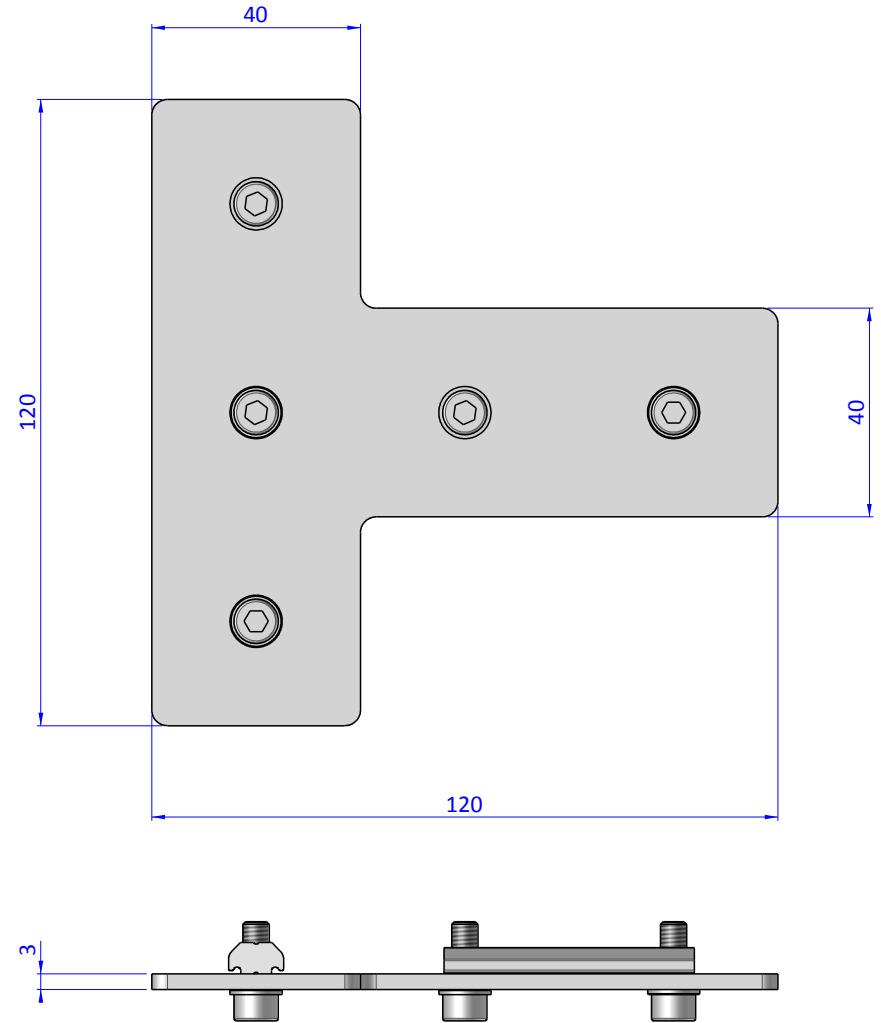
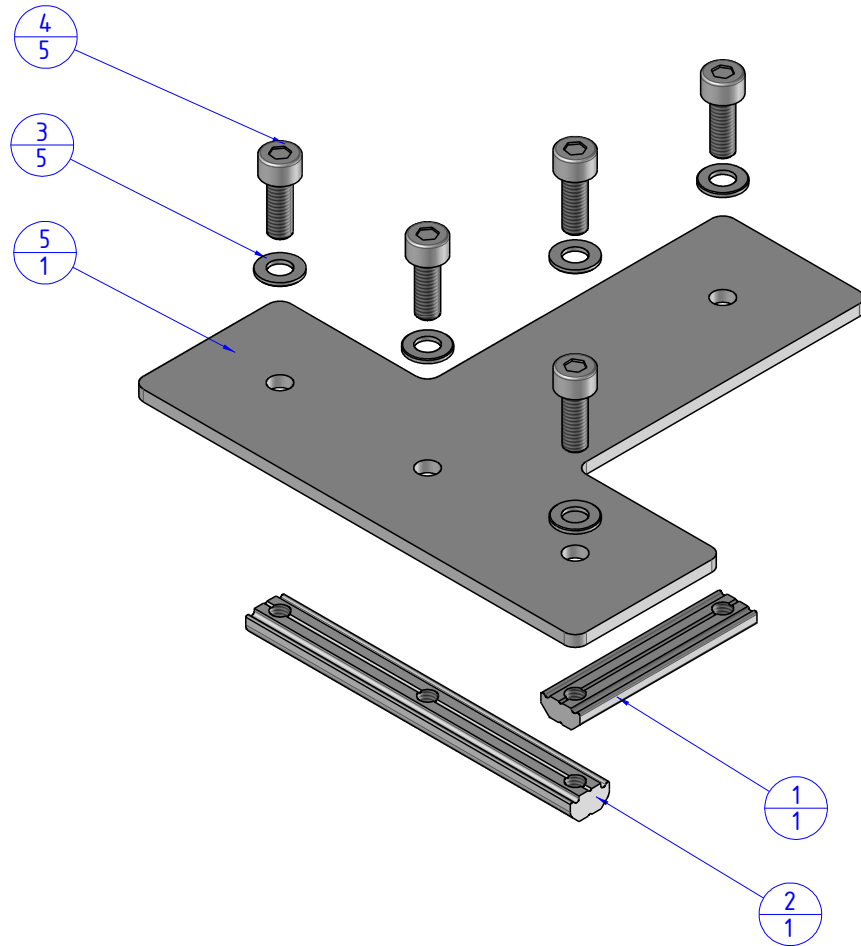


THE PROPERTY OF THE DRAWING IS ESTABLISHED BY LAW. IT IS FORBIDDEN TO PRODUCE OR SHOW IT TO THIRD PARTY, WITHOUT A WRITTEN AGREEMENT.

Item	Name	Q. ty
1	CA.GWP.5.40	1
2	CA.GWP.5.40.3	1
3	R.5	5
4	V.TCE5x14	5
5	VBT.JU.120	1



Format A3

UNI 936-76

FP SERVICES AUTOMATION		DESIGNED FROM FPSERVICES	REVIEW A
GENERAL TOLERANCE UNI - ISO 2768 CLASSE f	DESCRIPTION CA.VBT.JU.120	DATE 30/04/2016	WEIGHT 0.261kg
		CODE CA.VBT.JU.120	CODE CA.VBT.JU.120